

**WILDSTAR FARM EQUESTRIAN FACILITY**

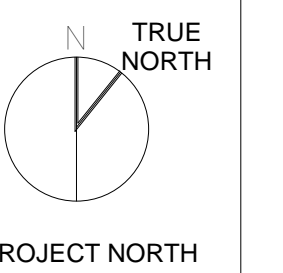
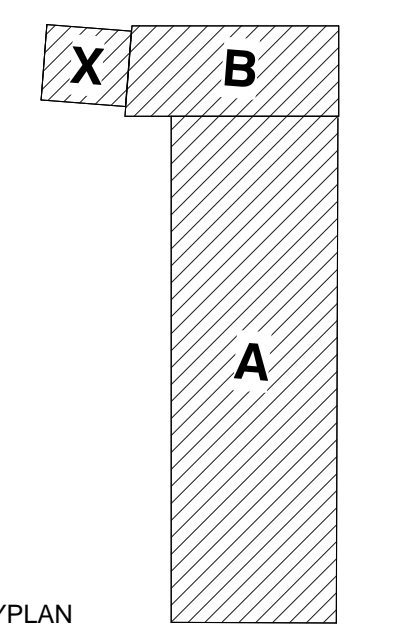
SHERBORN MASSACHUSETTS



Polly Kornblith and Michael Newman  
 19 Nason Hill Lane  
 Sherborn, Massachusetts, 01770

© COPYRIGHT 2017 JAMES T. GUARINO CONSULTING.

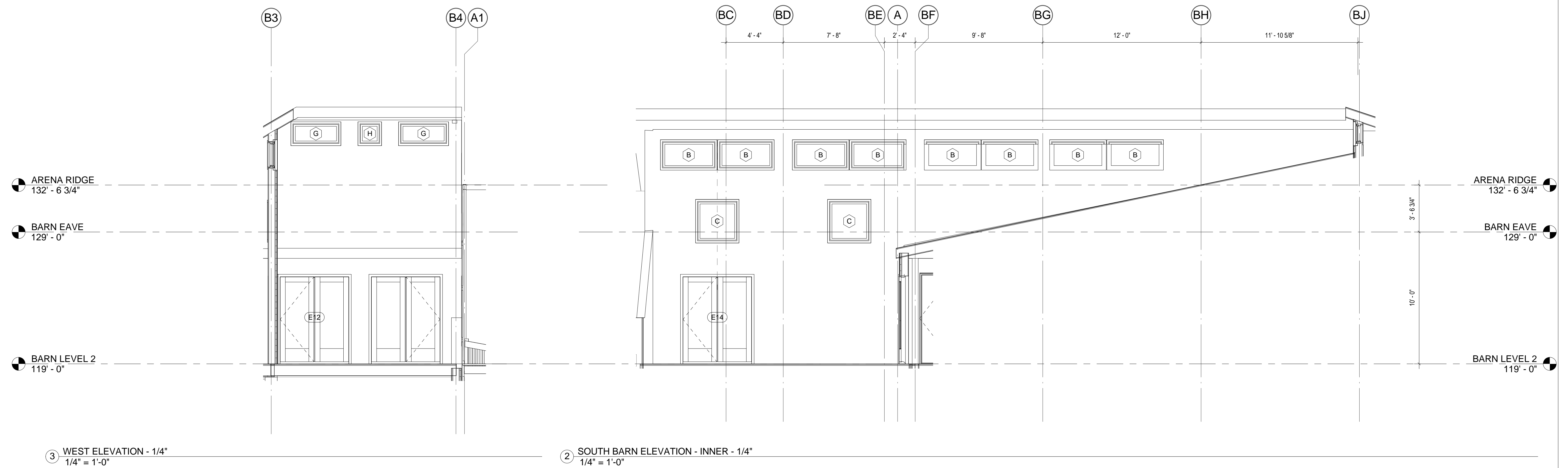
**EARLY FOUNDATION PACKAGE**



**BUILDING ELEVATIONS - ENLARGED**

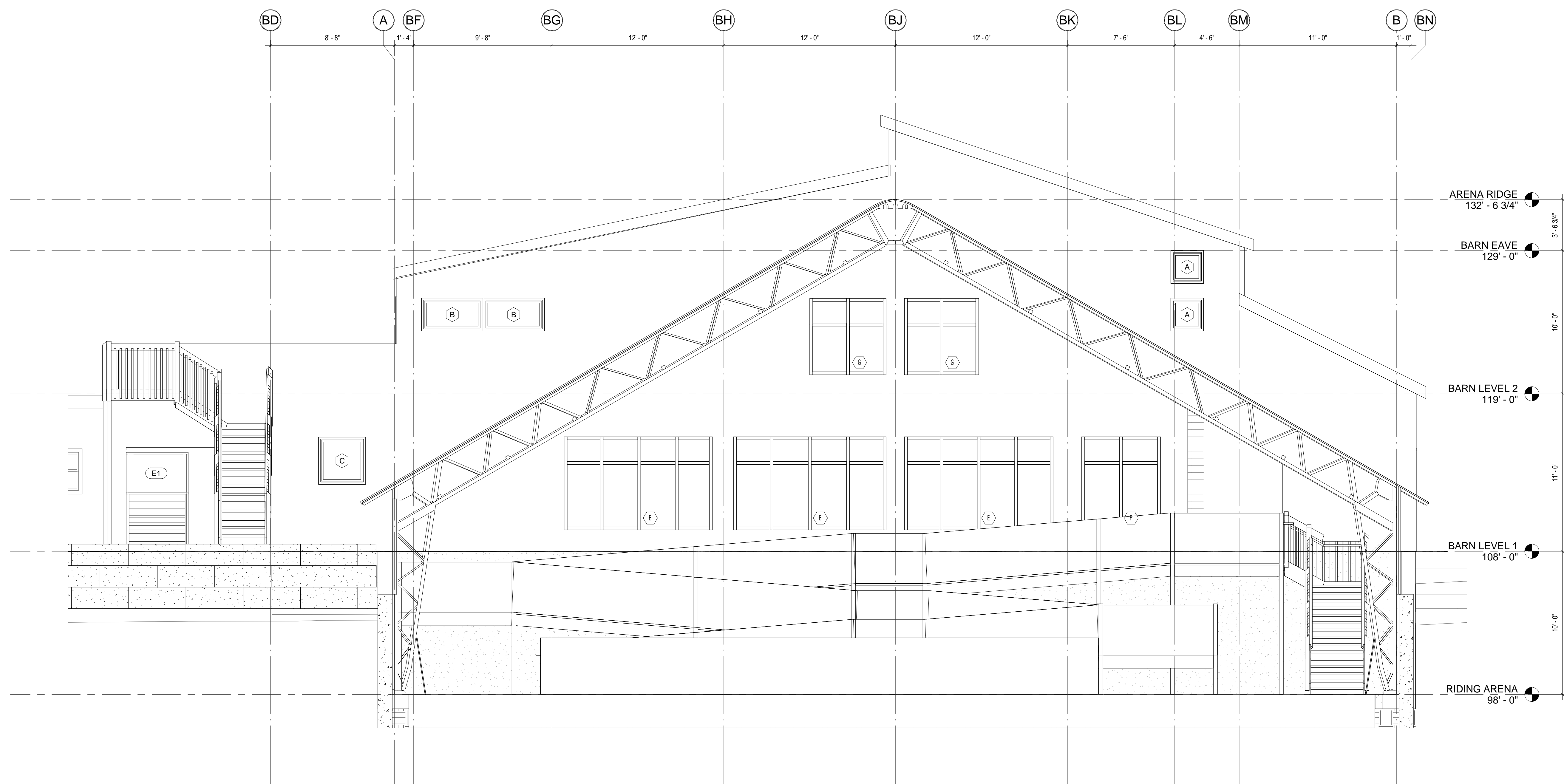
Scale: 1/4" = 1'-0"  
 Job No.: 17001.00  
 Drawn By: JTG  
 Date: 7/10/2017 7:48:09 PM

**A2-0-2**



3 WEST ELEVATION - 1/4"  
 1/4" = 1'-0"

2 SOUTH BARN ELEVATION - INNER - 1/4"  
 1/4" = 1'-0"



1 SOUTH ELEVATION BARN - OUTER - 1/4"  
 1/4" = 1'-0"